

SYLUX



LED LIGHTING

IX-series LED Floodlight

Application:

- Replace Of Traditional Incandescent Lamp, Cfl, Halide Lamp; • Lighting Application For Home, Office, School, Office, Factories,
- Entertainment Locations Like Hotel, Restaurant, Shop, Bar Etc. • Lighting Application For Big Buildings, Playground, Exhibition,
- Garden, Landscape, Parth, Parlour, Ceiling, Cupboard, Floor, • Swimming Pool Etc.

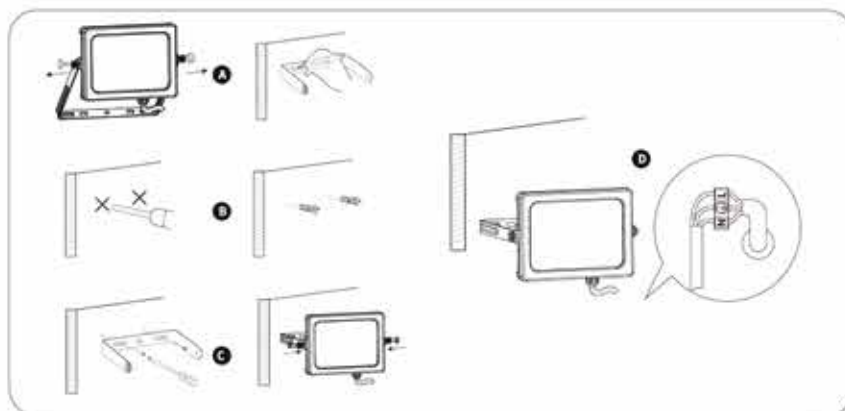
Lamp body material:

- Die-casting aluminum alloy surface electrostatic spraying treatment;
- PC reflective bowl; Tempered glass, Cold plate support, surface electrostatic spraying treatment.

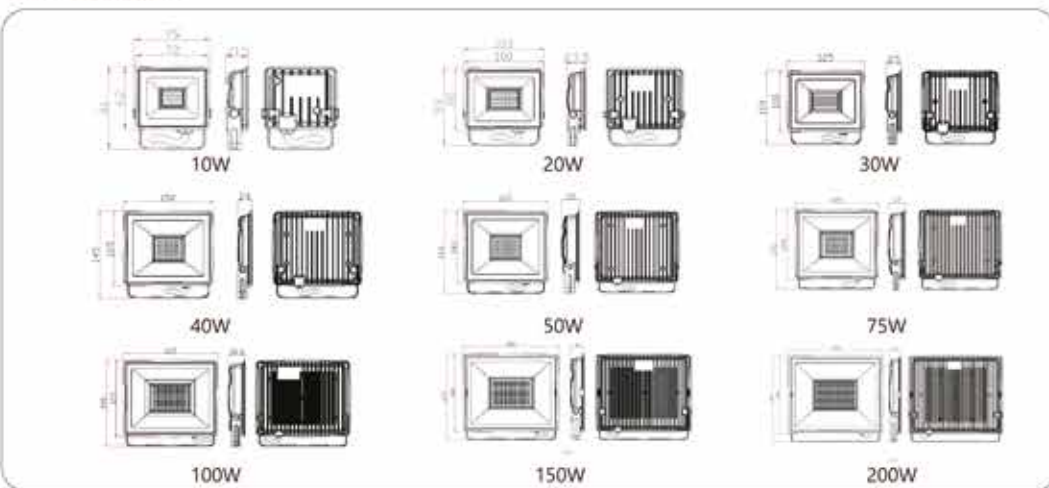


Technical Data

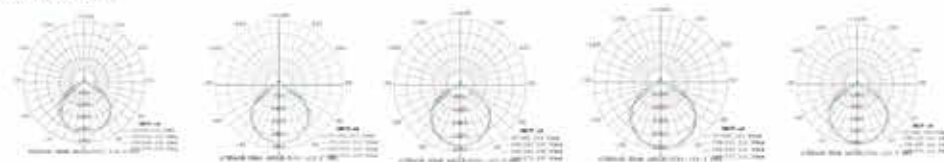
Power	10W	20W	30W	40W	50W	75W	100W	120W	150W	200W
Lumen	100lm/w	100lm/w	100lm/w	100lm/w	100lm/w	100lm/w	100lm/w	100lm/w	100lm/w	100lm/w
CRl(Ra)	≥70	≥70	≥70	≥70	≥70	≥70	≥70	≥70	≥70	≥70
PF	>0.9	>0.9	>0.9	>0.9	>0.9	>0.9	>0.9	>0.9	>0.9	>0.9
IP	IP65	IP65	IP65	IP65	IP65	IP65	IP65	IP65	IP65	IP65
Size(mm)	105x99x29	129x111x31	153x134x31	173x150x31	191x164x31	225x189x31	255x213x31	297x246x36	369x326x40	406x345x44



SIZE DIAGRAM



Product spectrum



Product illumination chart



L12-Series LED Floodlight

Application:

- Replace Of Traditional Incandescent Lamp, CFL, Halide Lamp; • Lighting Application For Home, Office, School, Office, Factories,
- Entertainment Locations Like Hotel, Restaurant, Shop, Bar Etc. • Lighting Application For Big Buildings, Playground, Exhibition,
- Garden, Landscape, Parth, Parlour, Ceiling, Cupboard, Floor, • Swimming Pool Etc.

Lamp body material:

- Die-casting aluminum alloy surface electrostatic spraying treatment;
- PC reflective bowl; Tempered glass, Cold plate support, surface electrostatic spraying treatment.



160Lm
Nominales
Nominal

185Lm
Nominales
Nominal



Technical Data

Power	10W	20W	30W	50W	100W	150W	200W	300W
Lumen	120lm/w	120lm/w	120lm/w	120lm/w	120lm/w	120lm/w	120lm/w	120lm/w
CRI(Ra)	≥70	≥70	≥70	≥70	≥70	≥70	≥70	≥70
PF	>0.9	>0.9	>0.9	>0.9	>0.9	>0.9	>0.9	>0.9
IP	IP65	IP65	IP65	IP65	IP65	IP65	IP65	IP65
Size(mm)	104*21*92	126.5*28*114	164*29*139	183*29*169	254*33*217	327*33*265	405*36*326	496*49*445

L13-Series LED Floodlight

Application:

- Replace Of Traditional Incandescent Lamp, CFL, Halide Lamp; • Lighting Application For Home, Office, School, Office, Factories,
- Entertainment Locations Like Hotel, Restaurant, Shop, Bar Etc. • Lighting Application For Big Buildings, Playground, Exhibition,
- Garden, Landscape, Parth, Parlour, Ceiling, Cupboard, Floor, • Swimming Pool Etc.

Lamp body material:

- Die-casting aluminum alloy surface electrostatic spraying treatment;
- PC reflective bowl; Tempered glass, Cold plate support, surface electrostatic spraying treatment.



Technical Data

Power	10W	20W	30W	50W	100W	150W	200W	300W
Lumen	100lm/w	100lm/w	100lm/w	100lm/w	100lm/w	100lm/w	100lm/w	120lm/w
CRI(Ra)	≥70	≥70	≥70	≥70	≥70	≥70	≥70	≥70
PF	>0.9	>0.9	>0.9	>0.9	>0.9	>0.9	>0.9	>0.9
IP	IP65	IP65	IP65	IP65	IP65	IP65	IP65	IP65
Size(mm)	104*92*21	126.5*114*28	164*139*29	183*169*29	254*217*33	327*265*33	405*326*36	496*49*445

G-Type LED HIGHBAY

Application:

- Gymnasium, Sports Stadium Lighting, Park Lot, • Square, Garden, Street Lighting, Supermarket,
- Billboard Lighting, Garage Lighting, Workshop, • Factory Lighting, Warehouse, Station, etc

FEATURES:

- Outdoor Rated IP65 • Long Life LEDs • Rugged Aluminum Housing • Shatter Resistant Lens • Excellent Thermal Design And Beautiful Design.



185
Lm/W

Technical Data

Power	80W	100W	135W	150W	160W	200W
Lumen	160lm/W	160lm/W	160lm/W	160lm/W	160lm/W	160lm/W
CRI(Ra)	≥70	≥70	≥70	≥70	≥70	≥70
PF	>0.9	>0.9	>0.9	>0.9	>0.9	>0.9
IP	IP65	IP65	IP65	IP65	IP65	IP65
Size(mm)	Φ250*110mm	Φ250*110mm	Φ295*110mm	Φ295*110mm	Φ320*110mm	Φ320*110mm

F-Type LED HIGHBAY

Application:

- Gymnasium, Sports Stadium Lighting, Park Lot, • Square, Garden, Street Lighting, Supermarket,
- Billboard Lighting, Garage Lighting, Workshop, • Factory Lighting, Warehouse, Station, etc

FEATURES:

- Outdoor Rated IP65 • Long Life LEDs • Rugged Aluminum Housing • Shatter Resistant Lens • Excellent Thermal Design And Beautiful Design.



Technical Data

Power	80W	100W	135W	150W	160W	200W
Lumen	100lm/W	100lm/W	100lm/W	100lm/W	100lm/W	100lm/W
CRI(Ra)	≥70	≥70	≥70	≥70	≥70	≥70
PF	>0.9	>0.9	>0.9	>0.9	>0.9	>0.9
IP	IP65	IP65	IP65	IP65	IP65	IP65
Size(mm)	Φ250*110mm	Φ250*110mm	Φ295*110mm	Φ295*110mm	Φ320*110mm	Φ320*110mm

E-Type LED HIGHBAY

Application:

- Gymnasium, Sports Stadium Lighting, Park Lot, • Square, Garden, Street Lighting, Supermarket,
- Billboard Lighting, Garage Lighting, Workshop, • Factory Lighting, Warehouse, Station, etc

FEATURES:

- Outdoor Rated IP65 • Long Life LEDs • Rugged Aluminum Housing • Shatter Resistant Lens • Excellent Thermal Design And Beautiful Design



NEW
version in August

Technical Data

Power	160W	150W	200W	240W
Lumen	140lm/w	140lm/w	140lm/w	140lm/w
CRI(Ra)	≥70	≥70	≥70	≥70
PF	>0.9	>0.9	>0.9	>0.9
IP	IP65	IP65	IP65	IP65
Size(mm)	Φ305x221	Φ305x221	Φ305x221	Φ305x221

Linear-Type LED HIGHBAY

Application:

- Gymnasium, Sports Stadium Lighting, Park Lot, • Square, Garden, Street Lighting, Supermarket,
- Billboard Lighting, Garage Lighting, Workshop, • Factory Lighting, Warehouse, Station, etc

FEATURES:

- Outdoor Rated IP65 • Long Life LEDs • Rugged Aluminum Housing • Shatter Resistant Lens • Excellent Thermal Design And Beautiful Design



Technical Data

Power	50W	100W	150W	200W
Lumen	100lm/W	100lm/W	100lm/W	100lm/W
CRI(Ra)	≥70	≥70	≥70	≥70
PF	>0.9	>0.9	>0.9	>0.9
IP	IP65	IP65	IP65	IP65
Size(mm)	260*97*53.2mm	510*97*53.2mm	760*97*53.2mm	1010*97*53.2mm

LE-type LED Street light

Application:

• Highway, Park Street, Roadway • Parking Lot, Public square, School, etc.

FEATURES:

• Outdoor Rated IP65. • Long Life LEDs. • Rugged Aluminum Housing. • Shatter Resistant Lens. • Excellent Thermal Design And Beautiful Design.



Technical Data

Power	30W	50W	70W	100W	150W
Lumen	120lm/w	120lm/w	120lm/w	120lm/w	120lm/w
CRI(Ra)	≥70	≥70	≥70	≥70	≥70
PF	>0.9	>0.9	>0.9	>0.9	>0.9
IP	IP65	IP65	IP65	IP65	IP65
Size(mm)	416*138*105mm	470*146*105mm	470*146*105mm	567*179*105mm	633*203*105mm

LF-type LED Street light

Application:

• Highway, Park Street, Roadway • Parking Lot, Public square, School, etc.

FEATURES:

• Outdoor Rated IP65. • Long Life LEDs. • Rugged Aluminum Housing. • Shatter Resistant Lens. • Excellent Thermal Design And Beautiful Design.

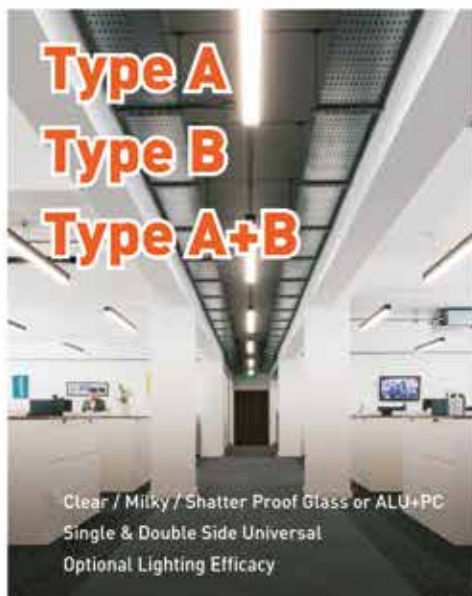


Technical Data

Power	30W	50W	70W	100W	120W	150W	200W
Lumen	100lm/w	100lm/w	100lm/w	100lm/w	100lm/w	100lm/w	100lm/w
CRI(Ra)	≥70	≥70	≥70	≥70	≥70	≥70	≥70
PF	>0.9	>0.9	>0.9	>0.9	>0.9	>0.9	>0.9
IP	IP65	IP65	IP65	IP65	IP65	IP65	IP65
Size(mm)	333*138*92mm	386.5*149*92mm	386*149*92mm	480*179*92mm	551*203*92mm	551*203*92mm	624*233*92mm

LED Tube

T8 LED Tube (c-UL-us)



Model No. 产品型号	Dimension 尺寸(mm)	Rated Power 额定功率	Power EqV. 等效功率	Total Lumen 总流明	Color Temp. 色温	PCS/CTN 装箱数量	CTN MEAS. 装箱尺寸(mm)
NLT8B102P-E9-A	Φ26*590	Per Ballast-9W	17W	1300lm	3000K-5000K	25	62.5x17x17.5
NLT8B103P-E12-A	Φ26*895	Per Ballast-12W	30W	1500lm	3000K-5000K	25	93.5x17x17.5
NLT8B104P-E15/18-A	Φ26*1199	Per Ballast-15W/-18W	32W	1800lm/2150lm	3000K-5000K	25	123.5x17x17.5
NLT8B102P-E9-B	Φ26*590	9W	18W	1200lm	3000K-5000K	25	62.5x17x17.5
NLT8B103P-E12-B	Φ26*895	12W	30W	1450lm	3000K-5000K	25	93.5x17x17.5
NLT8B104P-E11/15/18-B	Φ26*1199	11W/15W/18W	32W	1450lm/1800lm/2150lm	3000K-5000K	25	123.5x17x17.5
NLT8B102P-E9-AB	Φ26*590	9W	17W	1350lm	3000K-5000K	25	62.5x17x17.5
NLT8B103P-E12-AB	Φ26*895	12W	30W	1400lm	3000K-5000K	25	93.5x17x17.5
NLT8B104P-E15/18-AB	Φ26*1199	15W	32W	1800lm/2000lm	3000K-5000K	25	123.5x17x17.5

Notes: Lumen's based on DLC Certified (normal dimming)

LED Tube

T8 LED Glass Tube (Brazil / Latin America)



Brazil



Model No. 产品型号	Dimension 尺寸(mm)	Rated Power 额定功率	Power EqV. 等效功率	Lumen Efficacy 光效	Color Temp. 色温	PCS/CTN 装箱数量	CTN MEAS. 装箱尺寸(mm)
XGYT8B102	Φ26*590	9W	18W	95-100 lm/W	3000K-4500K	25	62.5x17x17.5
XGYT8B104	Φ26*1199	18W	36W	95-100 lm/W	3000K-4500K	25	93.5x17x17.5
XGYT8B108 XGYT8B208	Φ26*2374.3	40W	58W	95-100 lm/W	3000K-4500K	25	123.5x17x17.5

Lumen Efficacy is Dimmable

Latin America



Single or Double Side Input

Model No. 产品型号	Dimension 尺寸(mm)	Rated Power 额定功率	Power EqV. 等效功率	Lumen Efficacy 光效	Color Temp. 色温	PCS/CTN 装箱数量	CTN MEAS. 装箱尺寸(mm)
XGYT8B102	Φ26*590	9W	18W	80-160 lm/W	3000K-4000K	25	62.5x17x17.5
XGYT8B104	Φ26*1199	18W	36W	80-160 lm/W	3000K-4000K	25	123.5x17x17.5

Lumen Efficacy is Dimmable

LED Bulb



C37



C37
Tip



T37



T37

Power: 3.5W/4.5W/5.5W/6.5W/7.5W/8W/9W
CRI: >80/90/97
PF: ≥ 0.5
Input: 220-240V
Base: E14

Power: 3.5W/4.3W/5.3W/6.3W/7.3W/8W/9W
CRI: >80/90/97
PF: ≥ 0.5
Input: 220-240V
Base: E14

Power: 8W
CRI: >80
PF: ≥ 0.5
Input: 220-240V
Base: E14

Power: 8W
CRI: >80
PF: ≥ 0.5
Input: 220-240V
Base: E27



P45



G45



A55



A60

Power: 3W/4W/5.5W/8W/9W
CRI: >80/90/97
PF: ≥ 0.5
Input: 220-240V
Base: E14

Power: 3W/4W/5.5W/7W
CRI: >80/90/97
PF: ≥ 0.5
Input: 220-240V
Base: E27

Power: 5W/7W
CRI: >80/90/97
PF: ≥ 0.5
Input: 220-240V
Base: E27

Power: 9W/10W/11W
CRI: >80/90/97
PF: ≥ 0.5
Input: 220-240V
Base: E27

2500lm



A65



A70



A80

Power: 15W/17W/20W
CRI: >80/90/97
PF: ≥ 0.5
Input: 220-240V
Base: E27

Power: 14W/16W
CRI: >80/90/97
PF: ≥ 0.5
Input: 220-240V
Base: E27

Power: 15W/18W
CRI: >80/90/97
PF: ≥ 0.5
Input: 220-240V
Base: E27



T120 65W



T120 80W



T140 100W

Power: 65W
CRI: >80
PF: ≥ 0.5/0.9
Input: 100-240V/220-240V
Base: E27

Power: 80W
CRI: >80
PF: ≥ 0.5/0.9
Input: 100-240V/220-240V
Base: E27

Power: 100W
CRI: >80
PF: ≥ 0.5/0.9
Input: 100-240V/220-240V
Base: E27



V170 150W



V190 200W

Power: 150W
CRI: >80
PF: ≥ 0.5/0.9
Input: 100-240V/220-240V
Base: E40

Power: 200W
CRI: >80
PF: ≥ 0.5/0.9
Input: 100-240V/220-240V
Base: E40



LED Bulb



T60

Power: 12W
CRI: >80
PF: ≥0.5
Input: 220-240V
Base: E27/E26/B22/E40



T70

Power: 15W
CRI: >80
PF: ≥0.5
Input: 220-240V
Base: E27/E26/B22/E40



T80

Power: 18W/20W/22W
CRI: >80
PF: ≥0.5
Input: 220-240V
Base: E27/E26/B22/E40



T100

Power: 25W/30W/32W
CRI: >80
PF: ≥0.5
Input: 220-240V
Base: E27/E26/B22/E40



T120

Power: 36W/40W/42W
CRI: >80
PF: ≥0.5
Input: 220-240V
Base: E27/E26/B22/E40



T140

Power: 48W/50W
CRI: >80
PF: ≥0.5
Input: 220-240V
Base: E27/E26/B22/E40



T160

Power: 60W
CRI: >80
PF: ≥0.5
Input: 220-240V
Base: E27/E26/B22/E40



F150

Power: 16W
CRI: >80
PF: ≥0.5
Input: 220-240V
Base: E27



F200

Power: 24W
CRI: >80
PF: ≥0.5
Input: 220-240V
Base: E27



F250

Power: 36W
CRI: >80
PF: ≥0.5
Input: 220-240V
Base: E27

LED Bulb



G95

Power: 15W
CRI: >80
PF: ≥0.5
Input: 220-240V
Base: E27



G120

Power: 17W
CRI: >80
PF: ≥0.5
Input: 220-240V
Base: E27



R39

Power: 4W
CRI: >80
PF: ≥0.5
Input: 220-240V
Base: E14



R50

Power: 8W
CRI: >80
PF: ≥0.5
Input: 220-240V
Base: E14



R63

Power: 9W
CRI: >80
PF: ≥0.5
Input: 220-240V
Base: E27



R80

Power: 10W
CRI: >80
PF: ≥0.5
Input: 220-240V
Base: E27



PAR20

Power: 7W
CRI: >80
PF: ≥0.5
Input: 220-240V
Base: E27



PAR30

Power: 11W
CRI: >80
PF: ≥0.5
Input: 220-240V
Base: E27



PAR38

Power: 14W
CRI: >80
PF: ≥0.5
Input: 220-240V
Base: E27

LED Edge Lit Panel



Model Code	Power (W)	Input Voltage (V)	CRI	Efficacy (lm/w)	CCT (K)	Dimension (mm) L*W*H
SH-PL66DF	30	220-240 / 100-277	80	100/120	2700-6500	595*595*8.5
	36					620*620*8.5
	40					
	50					
SH-PL123DF	30					1195*295*8.5
	36					
	40					
SH-PL126DF	50					1195*595*8.5
	50					
	60					

LED Back-Lit Universal Panel



Model Code	Power (W)	Input Voltage (V)	CRI	Efficacy (lm/w)	CCT (K)	Dimension (mm) L*W*H
SH-BPL66U	36	220-240 / 100-277	80	80/110	2700-6500	595*595*30
	40					
	50					
SH-BPL123U	36					1195*295*30
	40					
	50					
SH-BPL126U	60					1195*595*30

LED Back-Lit Panel



Model Code	Power (W)	Input Voltage (V)	CRI	Efficacy (lm/w)	CCT (K)	Dimension (mm) L*W*H
SH-BPL66R	25	220-240 / 100-277	80	100/120/160	2700-6500	595*595*30
	30					
	36					
	40					
SH-BPL123R	30					1195*295*30
	36					
	40					
SH-BPL126R	50					1195*595*30
	60					

IP65 LED Edge-Lit Panel



Model Code	Power (W)	Input Voltage (V)	CRI	Efficacy (lm/w)	CCT (K)	Dimension (mm) L*W*H
SH-PL66IP	36	220-240 / 100-277	80	100/120	2700-6500	595*595*11
	40					
	50					

Surface Mounted LED Panel Light

Recessed Mounted LED Panel Light



Technical Data	Square				Round			
	6W	12W	18W	24W	6W	12W	18W	24W
Power	6W	12W	18W	24W	6W	12W	18W	24W
Lumen	110lm/W	110lm/W	110lm/W	110lm/W	110lm/W	110lm/W	110lm/W	110lm/W
CRi/Ra	>80	>80	>80	>80	>80	>80	>80	>80
PF	>0.9	>0.9	>0.9	>0.9	>0.9	>0.9	>0.9	>0.9
IP	IP65	IP65	IP65	IP65	IP65	IP65	IP65	IP65
Size(mm)	126.8*126.8*30.7	167.3*167.3*30.7	215.7*215.7*31	291*291*30.7	φ112*30.6	φ161.4*30.65	φ217.3*30.6	φ292.7*31.2

Technical Data	Square				Round							
	3W	6W	9W	12W	18W	24W	3W	6W	9W	12W	18W	24W
Power	3W	6W	9W	12W	18W	24W	3W	6W	9W	12W	18W	24W
Lumen	110lm/W	110lm/W	110lm/W	110lm/W	110lm/W	110lm/W	110lm/W	110lm/W	110lm/W	110lm/W	110lm/W	110lm/W
CRi/Ra	>80	>80	>80	>80	>80	>80	>80	>80	>80	>80	>80	>80
PF	>0.9	>0.9	>0.9	>0.9	>0.9	>0.9	>0.9	>0.9	>0.9	>0.9	>0.9	>0.9
IP	IP65	IP65	IP65	IP65	IP65	IP65	IP65	IP65	IP65	IP65	IP65	IP65
Size(mm)	67*67*28.2	107.1*107.1*28.4	147.4*147.4*28.4	187.7*187.7*28.4	228*228*28.4	268.3*268.3*28.4	φ60.5*28	φ100.5*28.4	φ140.5*28.4	φ180.7*28.45	φ220.7*28.9	φ296*28.1

TA Series LED Waterproof Lamp

Housing for LED Tubes



Model Code	LED Tubes	Material	Dimension (mm) L*W*H
SH-TP06I-1	1 * T8 600mm	PC Cover/PC Body PC Cover/ABS Body PS Cover/ABS Body	660*78*87
SH-TP12I-1	1 * T8 1200mm		1270*78*87
SH-TP15I-1	1 * T8 1500mm		1570*78*87
SH-TP06I-2	2 * T8 600mm		660*104*87
SH-TP12I-2	2 * T8 1200mm		1270*104*87
SH-TP15I-2	2 * T8 1500mm		1570*104*87

I Series LED Waterproof Lamp

Housing for LED Tubes



Model Code	LED Tubes	Material	Dimension (mm) L*W*H
SH-IP06I-1	1 * T8 600mm	PC Cover / PC Body PC Cover / ABS Body PS Cover / ABS Body	666*60*55
SH-IP12I-1	1 * T8 1200mm		1276*60*55
SH-IP15I-1	1 * T8 1500mm		1576*60*55
SH-IP06I-2	2 * T8 600mm		666*86*55
SH-IP12I-2	2 * T8 1200mm		1276*86*55
SH-IP15I-2	2 * T8 1500mm		1576*86*55

TA Series LED Waterproof Lamp



Model Code	Power (W)	Input Voltage (V)	CRF	Efficacy (lm/w)	CCT (K)	Dimension (mm) L*W*H
SH-TP06TA	18	220-240 / 100-277	80	100/120/140	2700-6500	600*59*47
SH-TP12TA	36					1200*59*47
SH-TP15TA	48					1500*59*47

T Series LED Waterproof Lamp



Model Code	Power (W)	Input Voltage (V)	CRF	Efficacy (lm/w)	CCT (K)	Dimension (mm) L*W*H
SH-TP06PCT	18	220-240 / 100-277	80	80/100/120	2700-6500	600*31.5*39
SH-TP12PCT	36					1200*31.5*39
SH-TP15PCT	48					1500*31.5*39